

Pos.	Code NR	Description
1	4032.840	CHIMNEY
2	4032.832	UPPER BODY
3	4032.815	MOTOR 2P.150W 230V/50
4	4032.835	MOTOR SUPPORT
5	4032.545	AIR REGULATION FLAP
6	4032.808	AIR DEFLECTOR
7	4032.814	FAN DIAM.250MM-25°
8	4032.836	GRILL
9	4032.811	HANDLE
10	4032.845	FUEL LEVEL PROBE
11	4032.813	DRAIN PLUG
12	4032.828	FUEL TANK BLACK
13	4111.480	WHEEL PLUG BLACK
14	4111.072	WHEEL HOLDER DIAM. 20
15	4032.094	WHEEL BLACK DIAM.250
16	4032.809	WHEEL AXLE BLACK
17	4032.834	LOWER BODY
18	4032.790	COMBUSTION CHAMBER
19	4032.838	OUTLET AIR CONE
20	4031.536	NOZZLE 0,40 GPH 80°S
21	4032.786	NOZZLE SUPPORT
22	4032.574	BURNER FLANGE
23	4031.540	ELECTRODE
24	4161.434	SCREW TCC 4,2X9,5
25	4032.406	PHOTOCELL SUPPORT
26	4032.407	NUT M14X6
27	4161.140	CONNECTION 90° M.M. 1/8"
28	4032.818	PHOTOCELL FD11 BRAHMA
29	4111.153	POWER CORD 3 Mt.
30	4111.038	CABLE FASTENER
31	4032.850	FUSE 2,5A 6,3X32mm
32	4100.667	SWITCH 10 A
33	4160.647	ANGLE FIX BOX

---

Pos.	Code NR	Description
34	4162.467	SWITCH COVER
35	4032.823	FRONT CONTROL PANEL
36	4032.825	BRAHMA EQUIPMENT TGR1
37	4032.824	CONTROL BOX BASE
38	4160.639	POP RIVET WITH TERMIN 4 WAY
39	4032.787	MINIRELAY
40	4032.788	MINIRELAY ADAPTER
41	4032.816	CAPACITOR 6,3MF
42	4032.789	PUMP DANFOSS
43	4161.501	CONNECTION STRAIGHT 1/8" M.F.
44	4032.906	RUBBER TUBE M1/4
45	4032.857	FUEL PIPE TANK-FILTER
46	4100.630	FUEL FILTER
47	4032.830	RUBBER TUBE FOR FUEL SUCTION
48	4032.829	RUBBER TUBE
49	4032.858	FUEL PIPE PUMP-TANK
50	4032.884	FAN THERMOSTAT
51	4032.883	LIMIT THERMOSTAT
52	4032.854	OIL SUPPLY PIPE L=600
53	4032.885	HT CABLE

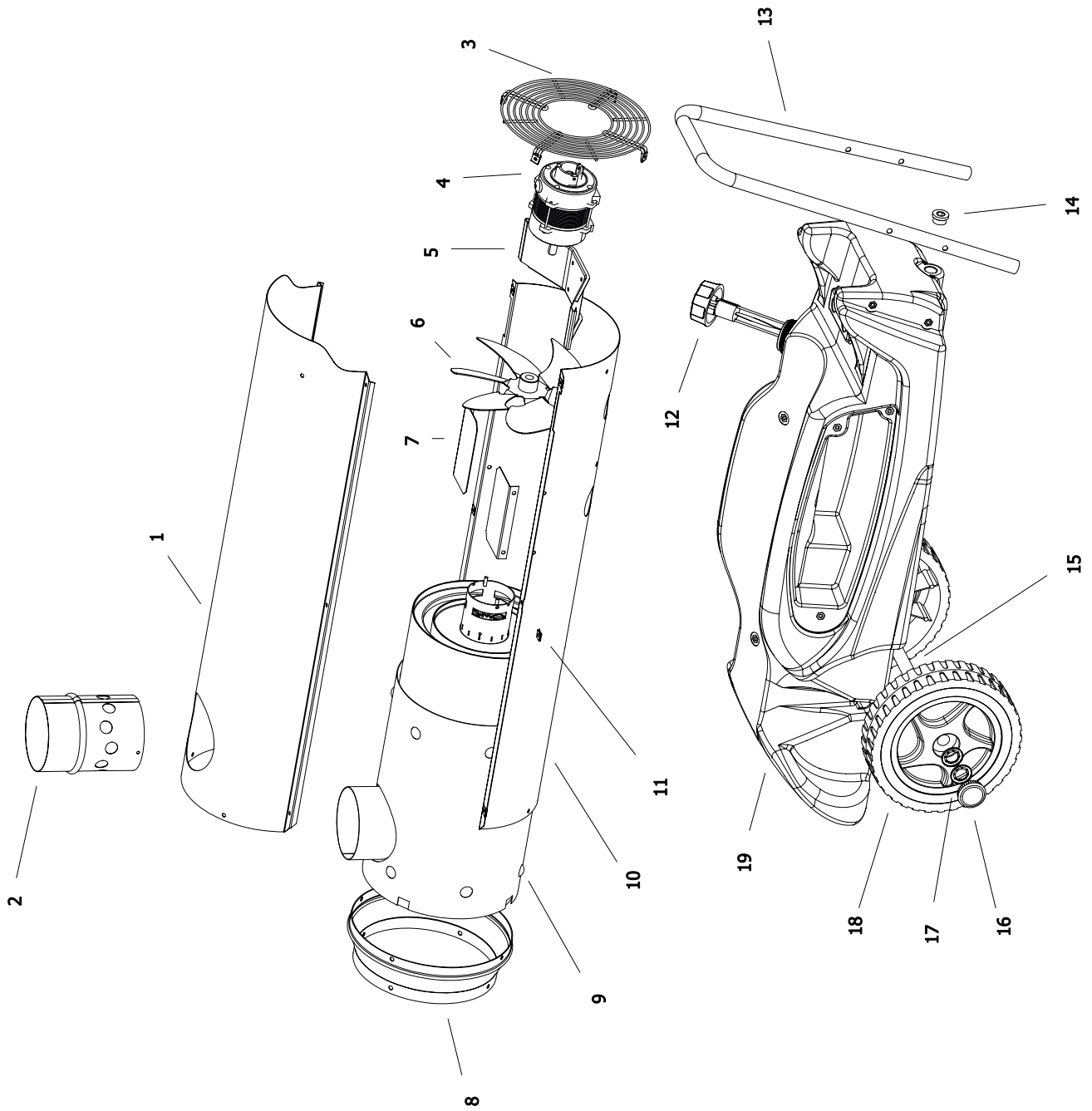
# Bv77 MODEL 2010

UNIT 1

ILLUSTRATED PARTS BREAKDOWN

From Serial Number: 30800083

Edizione 2010  
Rev. A



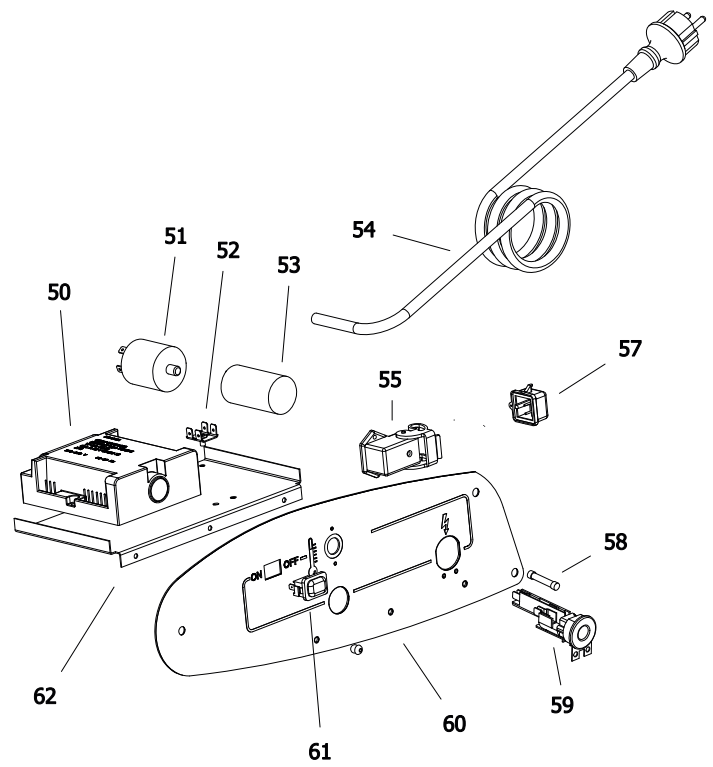
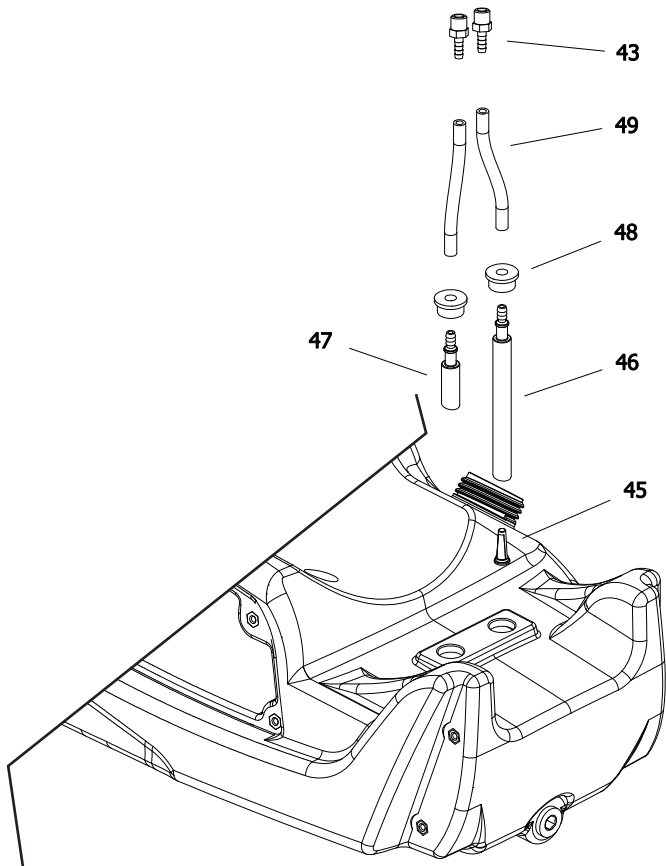
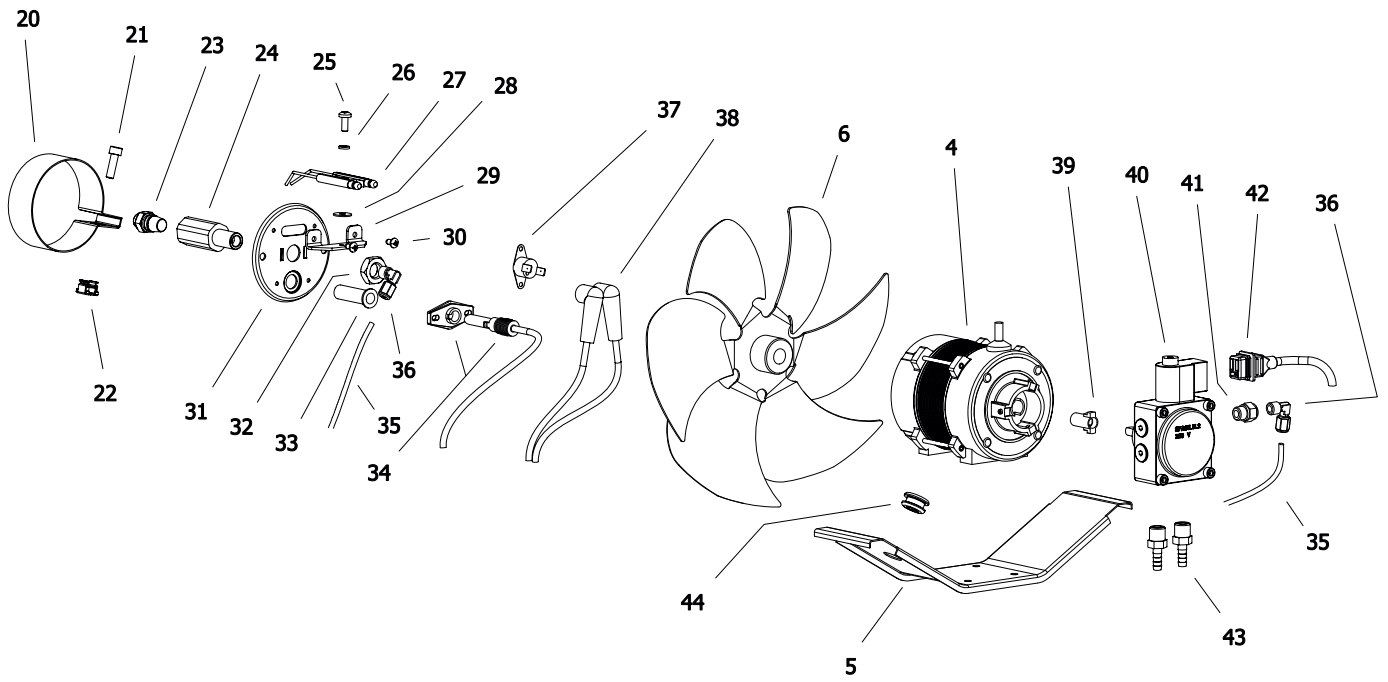
# Bv77 MODEL 2010

UNIT 2

ILLUSTRATED PARTS BREAKDOWN

From Serial Number: 30800083

Edizione 2010  
Rev. A



---

Pos.	Code NR	Description
1	4032.832	UPPER SHELL
2	4032.840	CHIMNEY
3	4032.836	GRID
4	4032.815	MOTOR
5	4032.835	MOTOR BRACKET
6	4032.814	FAN
7	4032.808	AIR FLAP
8	4032.838	OUTLET AIR CONE
9	4032.790	COMBUSTION CHAMBER
10	4032.834	LOWER SHELL
11	4104.170	CLIP NUT
12	4032.845	FUEL LEVEL PROBE
13	4032.811	HANDLES
14	4032.813	DRAIN PLUG
15	4032.809	AXLE
16	4111.480	WHEEL PLUG
17	4111.072	WHEEL HOLDER
18	4032.094	WHEEL
19	4033.037	TANK
20	4032.545	AIR REGULATION FLAP
21	4032.455	SCREW
22	4032.454	CAGE NUT
23	4031.536	NOZZLE
24	4032.786	NOZZLE SUPPORT
25	4160.601	SCREW
26	4110.393	WASHER
27	4032.396	BIFILAR ELECTRODE
28	4110.294	WASHER
29	4032.398	ELECTRODE BRACKET
30	4161.434	SCREW 4,2X9,5
31	4032.397	BURNER FLANGE
32	4032.407	NUT M14X6
33	4032.406	PHOTOCELL SUPPORT

---

Pos.	Code NR	Description
34	4033.022	PHOTOCELL
35	4032.854	OIL SUPPLY PIPE
36	4161.140	ELBOW
37	4032.883	LIMIT THERMOSTAT
38	4032.885	HT CABLE
39	4111.081	COUPLING
40	4032.789	PUMP
41	4161.501	NIPPLES
42	4032.905	POWER CORD SOLENOID SPOOL
43	4032.906	FITTING 1/4"
44	4032.947	CABLE PROTECTION
45	4110.356	FUEL FILTER
46	4110.355	FUEL LINE TANK-PUMP
47	4033.038	FUEL PIPE PUMP-TANK
48	4100.541	RUBBER BUSHING
49	4110.032	FUEL LINE
50	4033.017	IGNITION CONTROL ASSEMBLY
51	4032.771	POWER LINE RFI FILTER
52	4160.639	POP RIVET WITH TERMIN. 4 WAY
53	4032.816	CAPACITOR 6,3 $\mu$ f
54	4111.153	POWER CORD
55	4111.119	THERMOSTAT SOCKET
57	4162.467	CAP FOR THERMOSTAT SOCKET
58	4032.850	FUSE (6,3X32) 15A
59	4111.038	STRAIN RELIEF
60	4032.823	ELECTR. COMPONENTS PANEL
61	4100.667	ON/OFF SWITCH
62	4032.897	ELECTR. COMPONENTS BASE



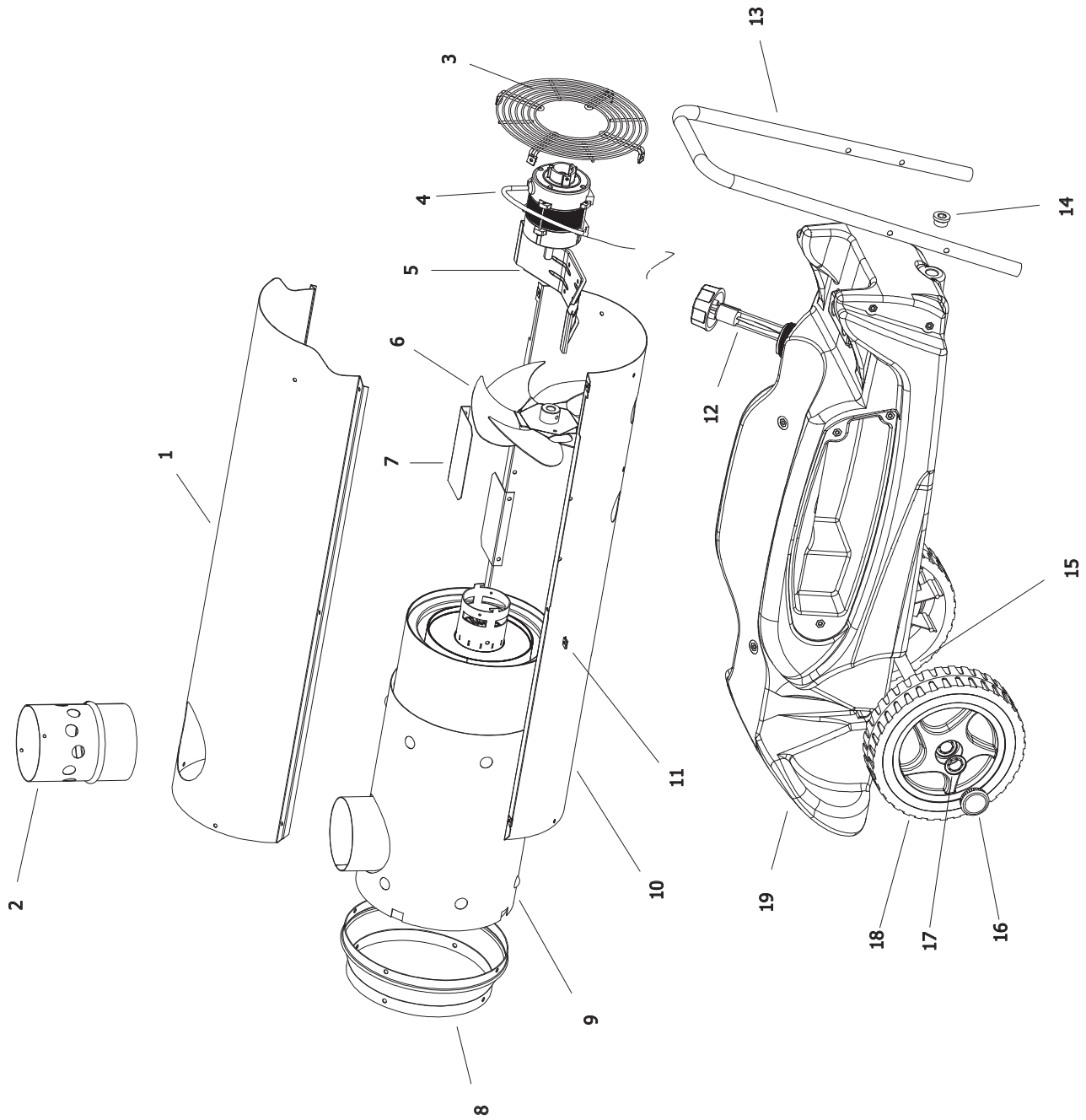
# BV 77 2011 MODEL

UNIT 1

ILLUSTRATED PARTS BREAKDOWN

From Serial Number: 31800560

Edizione 2011  
Rev. A



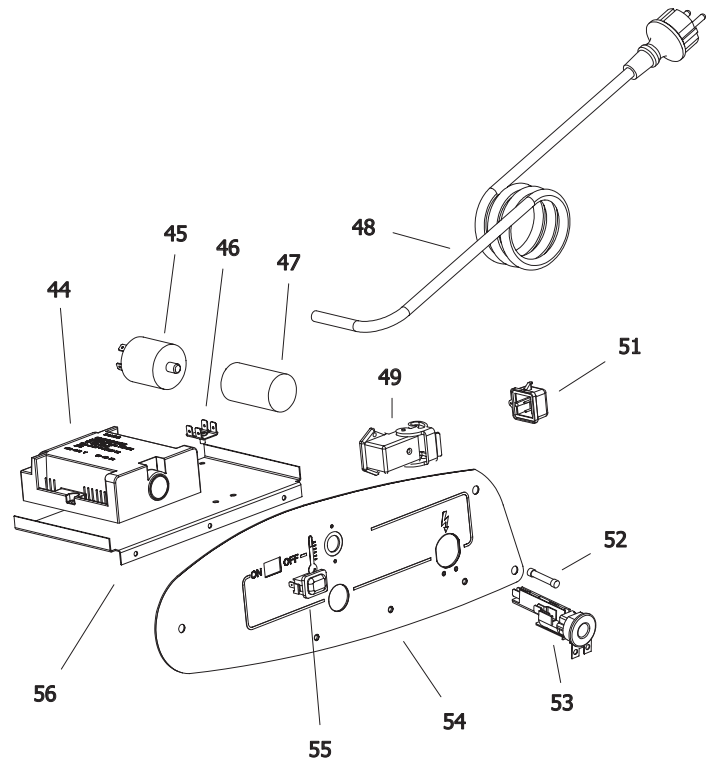
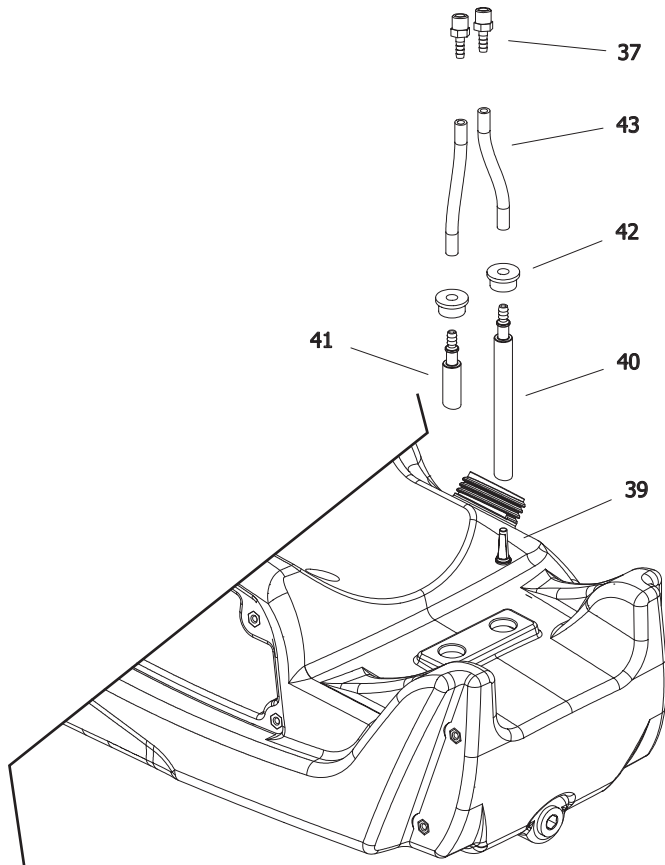
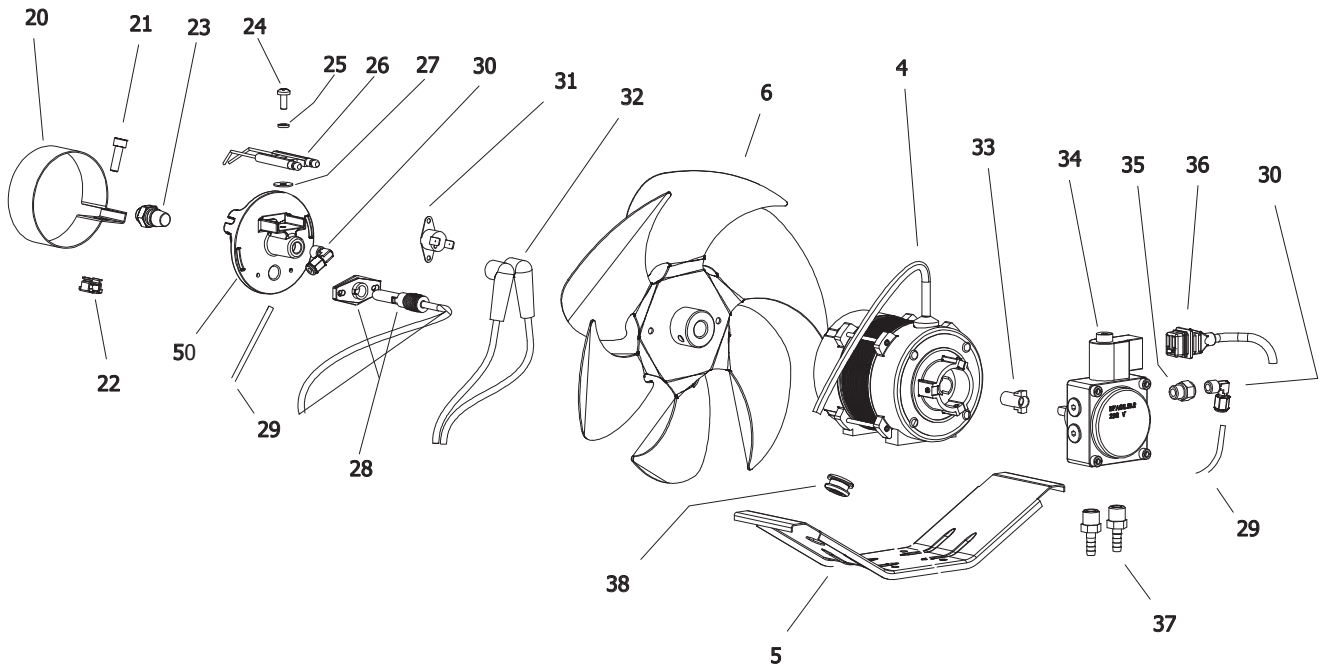
# BV 77 2011 MODEL

UNIT 2

ILLUSTRATED PARTS BREAKDOWN

From Serial Number: 31800560

Edizione 2011  
Rev. A



---

<b>Pos.</b>	<b>Code NR</b>	<b>Description</b>
1	4032.832	UPPER SHELL
2	4032.840	CHIMNEY
3	4032.836	GRID
4	4032.815	MOTOR
5	4032.835	MOTOR BRACKET
6	4032.814	FAN
7	4032.808	AIR FLAP
8	4032.838	OUTLET AIR CONE
9	4033.081	COMBUSTION CHAMBER
10	4032.834	LOWER SHELL
11	4104.170	CLIP NUT
12	4032.845	FUEL LEVEL PROBE
13	4032.811	HANDLES
14	4032.813	DRAIN PLUG
15	4032.809	AXLE
16	4111.480	WHEEL PLUG
17	4111.072	WHEEL HOLDER
18	4032.094	WHEEL
19	4033.037	TANK
20	4032.545	AIR REGULATION FLAP
21	4032.455	SCREW
22	4032.454	CAGE NUT
23	4031.536	NOZZLE
24	4110.363	SCREW
25	4110.393	WASHER
26	4032.396	BIFILAR ELECTRODE
27	4110.394	WASHER
28	4033.022	PHOTOCELL
29	4032.854	OIL SUPPLY PIPE
30	4161.140	ELBOW
31	4032.883	LIMIT THERMOSTAT
32	4032.885	HT CABLE
33	4111.081	COUPLING

---

<b>Pos.</b>	<b>Code NR</b>	<b>Description</b>
34	4032.789	PUMP
35	4161.501	NIPPLES
36	4032.905	POWER CORD SOLENOID SPOOL
37	4032.906	FITTING 1/4"
38	4032.947	CABLE PROTECTION
39	4110.356	FUEL FILTER
40	4110.355	FUEL LINE TANK-PUMP
41	4033.038	FUEL PIPE PUMP-TANK
42	4100.541	RUBBER BUSHING
43	4110.032	FUEL LINE
44	4033.017	IGNITION CONTROL ASSEMBLY
45	4032.771	POWER LINE RFI FILTER
46	4160.639	POP RIVET WITH TERMIN. 4 WAY
47	4032.816	CAPACITOR 6,3 $\mu$ f
48	4111.153	POWER CORD
49	4111.119	THERMOSTAT SOCKET
50	4033.042	BURNER FLANGE
51	4162.467	CAP FOR THERMOSTAT SOCKET
52	4032.850	FUSE (6,3X32) 15A
53	4111.038	STRAIN RELIEF
54	4032.823	ELECTR. COMPONENTS PANEL
55	4100.667	ON/OFF SWITCH
56	4032.897	ELECTR. COMPONENTS BASE

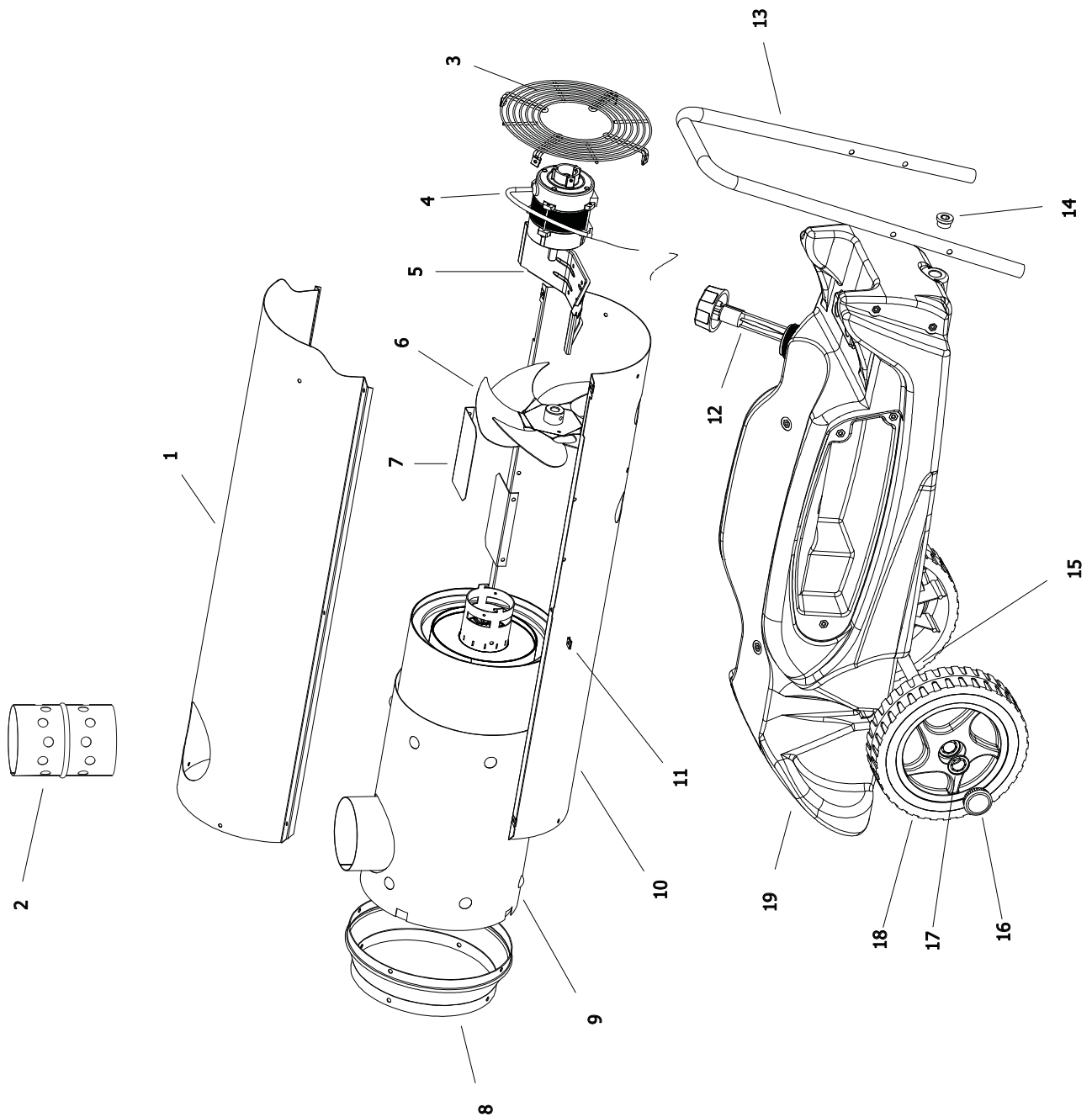
# BV 77 MODEL 2012

UNIT 1

ILLUSTRATED PARTS BREAKDOWN

From Serial Number: 32800180

Edizione 2012  
Rev. A



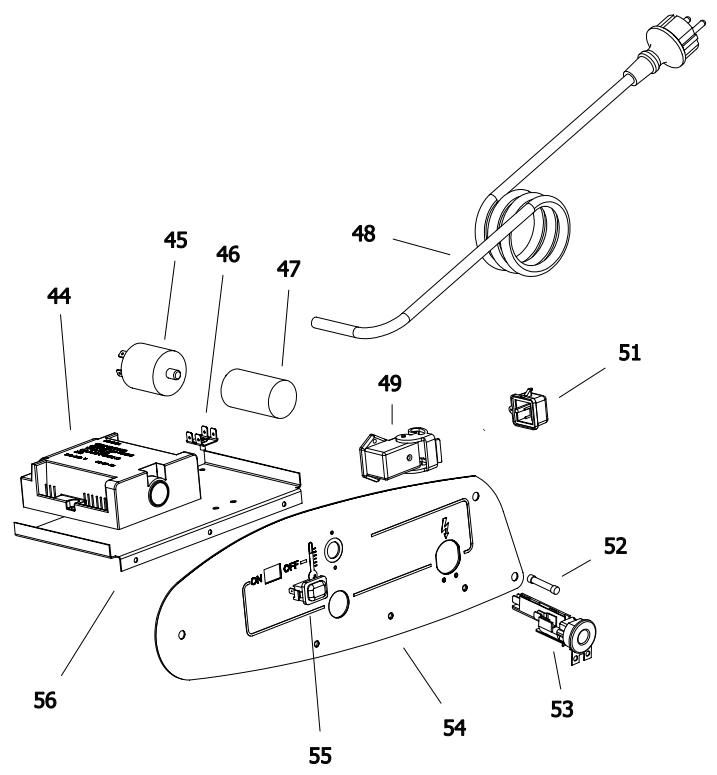
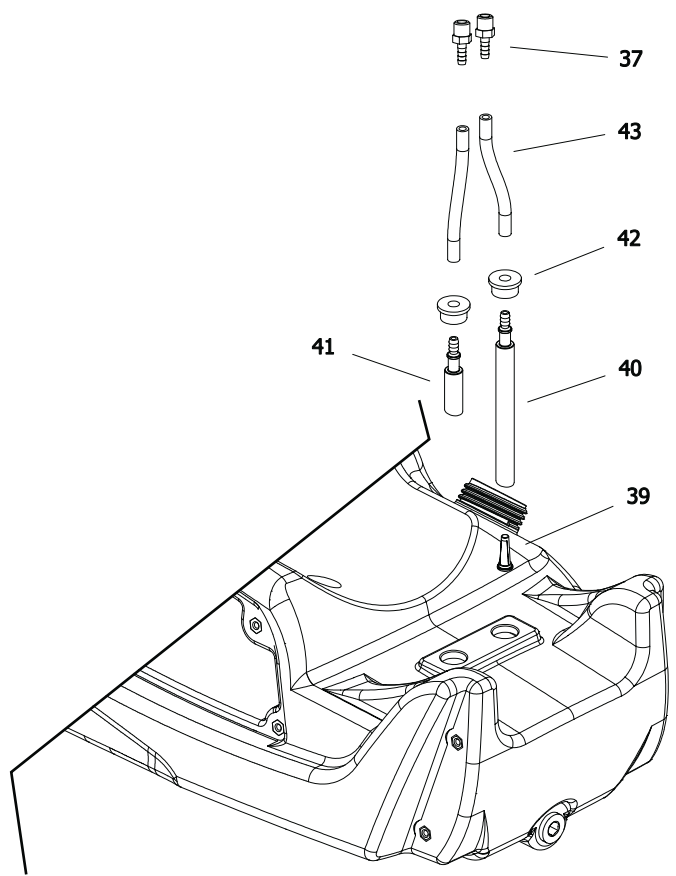
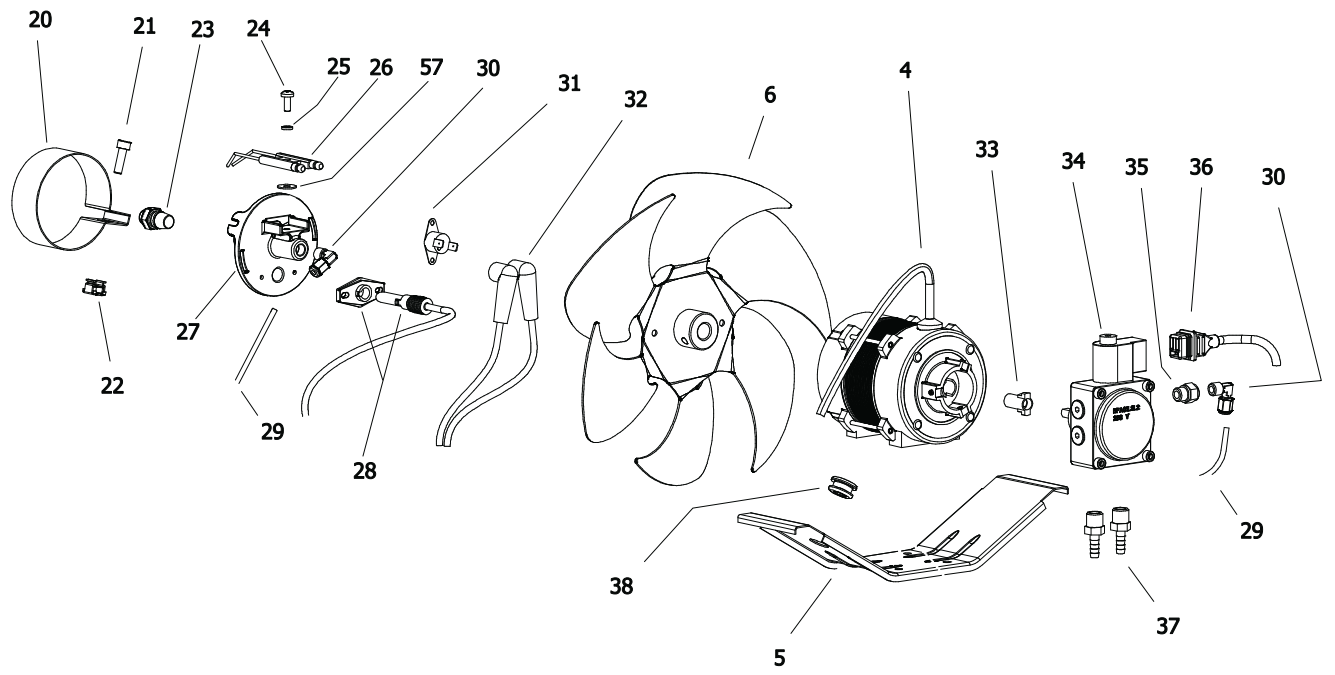
# BV 77 MODEL 2012

UNIT 2

ILLUSTRATED PARTS BREAKDOWN

From Serial Number: 32800180

Rev. A - May 2012



---

<b>Pos.</b>	<b>Code NR</b>	<b>Description</b>
1	4032.832	UPPER SHELL
2	4032.840	CHIMNEY
3	4032.836	GRID
4	4032.815	MOTOR
5	4032.835	MOTOR BRACKET
6	4032.814	FAN
7	4032.808	AIR FLAP
8	4032.838	OUTLET AIR CONE
9	4033.081	COMBUSTION CHAMBER
10	4032.834	LOWER SHELL
11	4104.170	CLIP NUT
12	4032.845	FUEL LEVEL PROBE
13	4032.811	HANDLES
14	4032.813	DRAIN PLUG
15	4032.809	AXLE
16	4111.480	WHEEL PLUG
17	4111.072	WHEEL HOLDER
18	4032.094	WHEEL
19	4033.037	TANK
20	4032.545	AIR REGULATION FLAP
21	4032.455	SCREW
22	4032.454	CAGE NUT
23	4031.536	NOZZLE
24	4110.363	SCREW
25	4110.393	WASHER
26	4033.123	BIFILAR ELECTRODE
27	4033.042	BURNER FLANGE
28	4033.022	PHOTOCELL
29	4033.187	OIL SUPPLY PIPE
30	4033.198	ELBOW
31	4032.883	LIMIT THERMOSTAT
32	4032.885	HT CABLE
33	4111.081	COUPLING

---

<b>Pos.</b>	<b>Code NR</b>	<b>Description</b>
34	4032.789	PUMP
35	4161.501	NIPPLES
36	4032.905	POWER CORD SOLENOID SPOOL
37	4032.906	FITTING 1/4"
38	4032.947	CABLE PROTECTION
39	4110.356	FUEL FILTER
40	4110.355	FUEL LINE TANK-PUMP
41	4033.038	FUEL PIPE PUMP-TANK
42	4100.541	RUBBER BUSHING
43	4110.032	FUEL LINE
44	4033.017	IGNITION CONTROL ASSEMBLY
45	4032.771	POWER LINE RFI FILTER
46	4160.639	POP RIVET WITH TERMIN. 4 WAY
47	4032.816	CAPACITOR 6,3 $\mu$ f
48	4111.153	POWER CORD
49	4111.119	THERMOSTAT SOCKET
51	4162.467	CAP FOR THERMOSTAT SOCKET
52	4032.850	FUSE (6,3X32) 15A
53	4111.038	STRAIN RELIEF
54	4032.823	ELECTR. COMPONENTS PANEL
55	4100.667	ON/OFF SWITCH
56	4032.897	ELECTR. COMPONENTS BASE
57	4110.394	WASHER



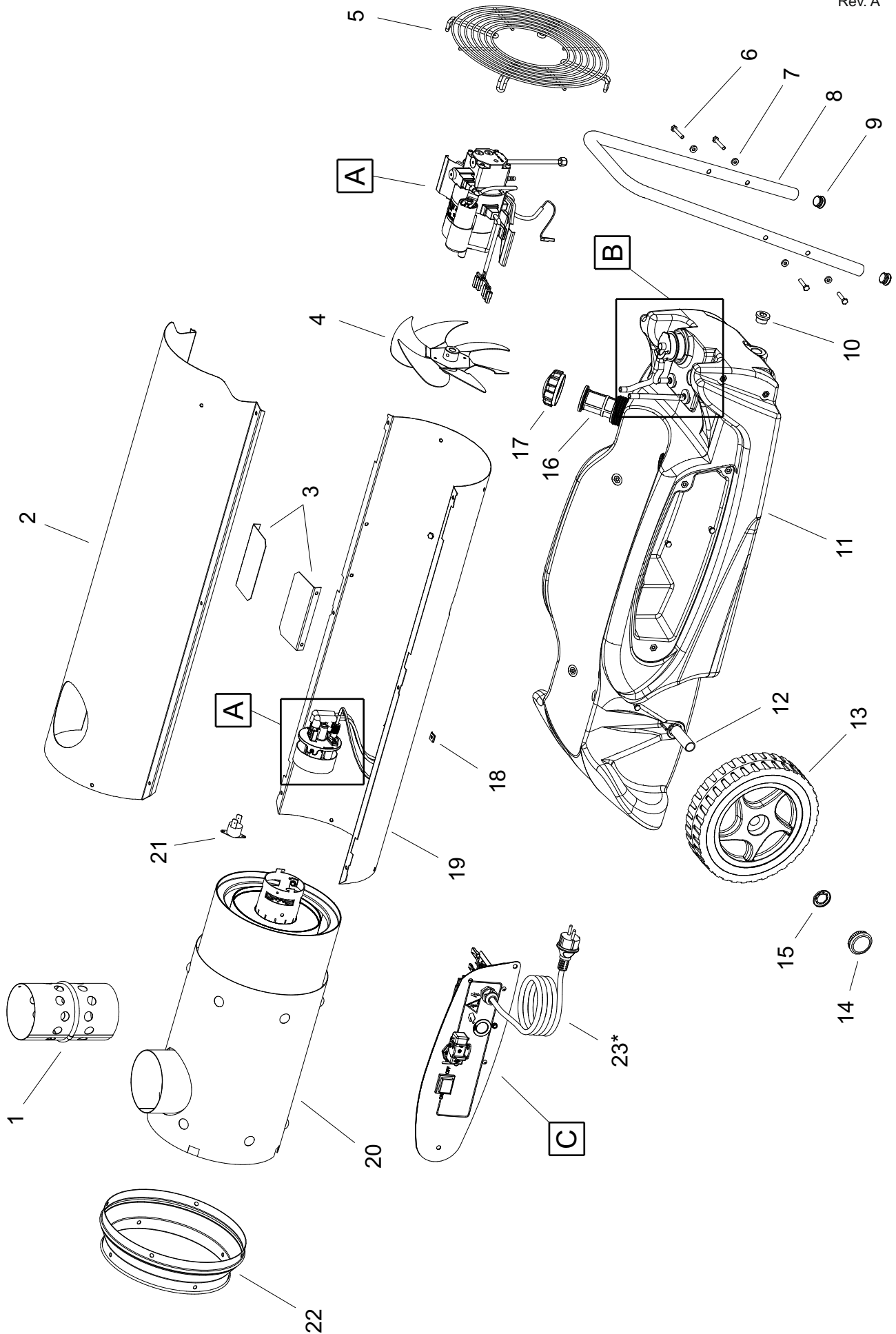
# BV 77 MODEL 2013

UNIT 1

ILLUSTRATED PARTS BREAKDOWN

Edizione 2013  
Rev. A

From Serial Number: 04233000449

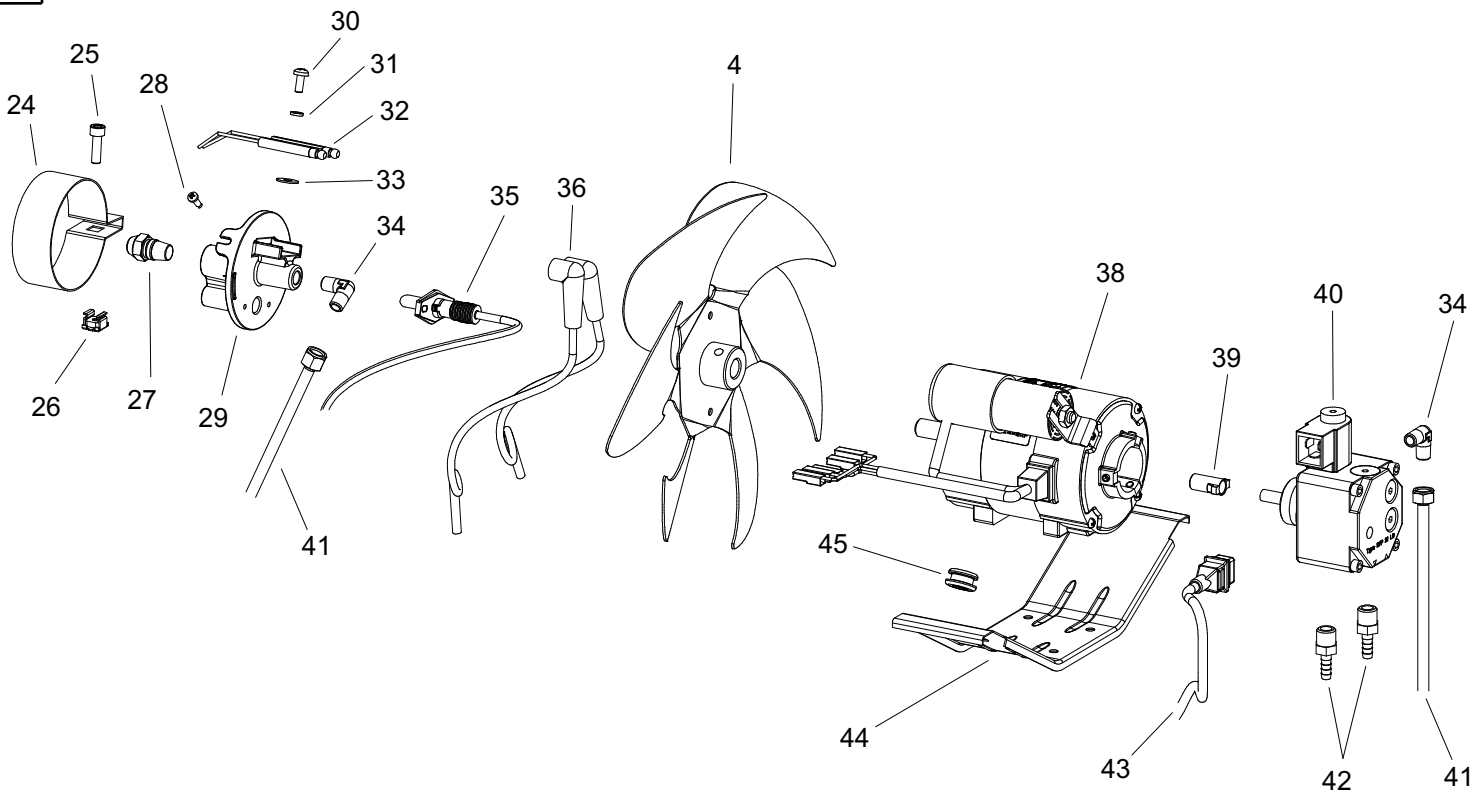


# BV 77 MODEL 2013

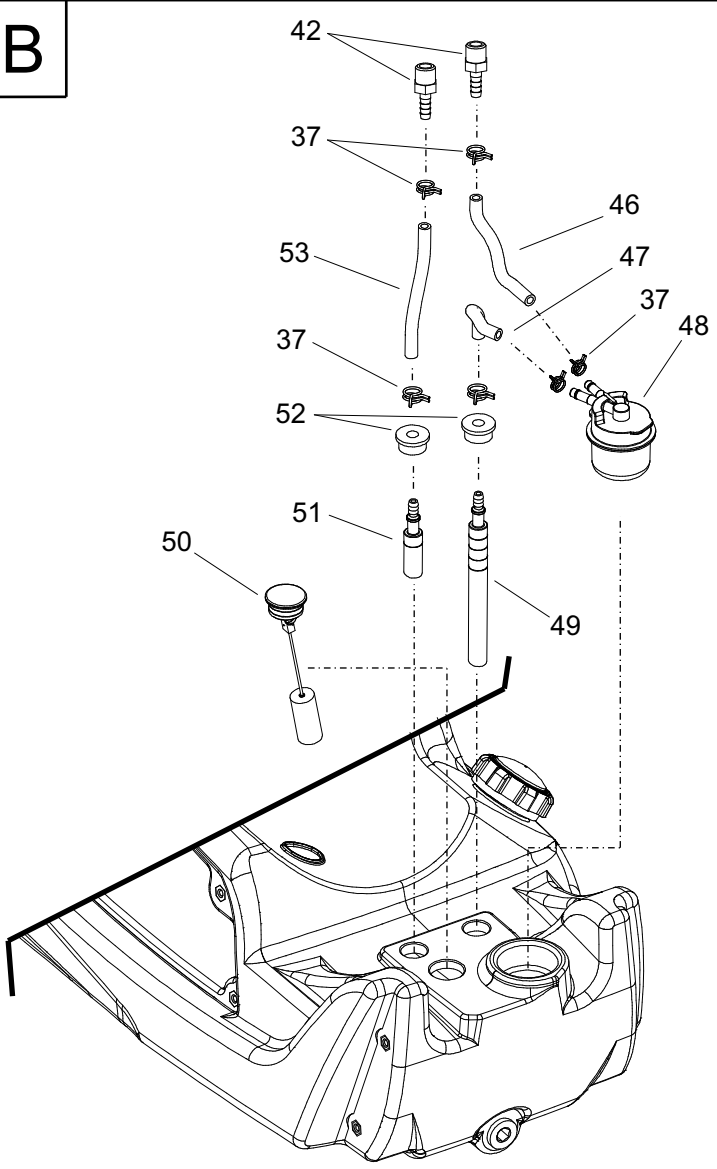
UNIT 2

ILLUSTRATED PARTS BREAKDOWN

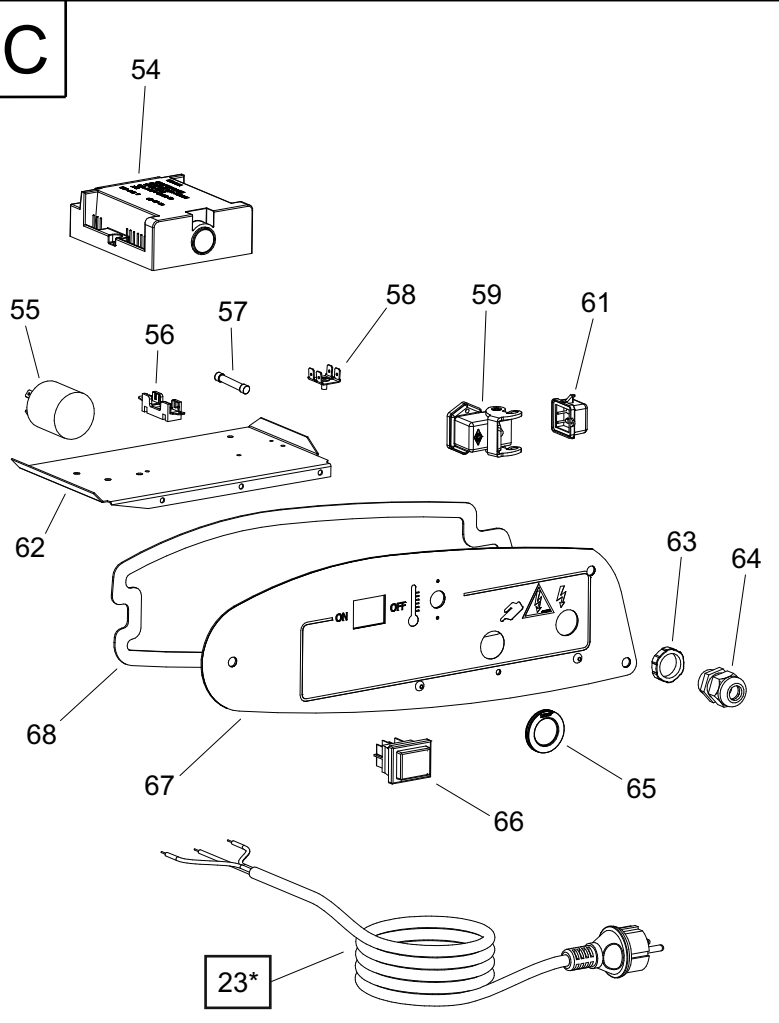
**A**



**B**



**C**



---

<b>Pos.</b>	<b>Code NR</b>	<b>Description</b>
1	4032.840	CHIMNEY
2	4032.832	UPPER SHELL
3	4032.808	AIR FLAP
4	4032.814	FAN
5	4032.836	INLET GRID
6	4140.665	SCREW
7	4160.272	WASHER
8	4032.811	HANDLE
9	4032.979	CAP
10	4032.813	DRAIN PLUG
11	4033.267	TANK
12	4032.809	AXLE
13	4032.094	WHEEL
14	4111.480	WHEEL CAP
15	4111.072	WHEEL HOLDER
16	4201.185	TANK FILTER
17	4032.846	TANK CAP
18	4104.170	CLIP NUT
19	4032.834	LOWER SHELL
20	4033.081	COMBUSTION CHAMBER
21	4032.883	LIMIT THERMOSTAT
22	4031.657	OUTLET CONE
23*	4033.253	POWER CORD SCHUKO
23-A	4033.252	POWER CORD NEW ZEALAND
23-B	4033.302	POWER CORD UK
24	4032.545	AIR REGULATION FLAP
25	4032.455	SCREW
26	4032.454	CAGE NUT
27	4031.536	NOZZLE
28	4161.956	SCREW
29	4033.042	BURNER FLANGE
30	4110.363	SCREW
31	4110.393	AUTOLOCK WASHER
32	4033.123	BIFILAR ELECTRODE
33	4110.394	FIBER WASHER
34	4033.198	ELBOW

---

<b>Pos.</b>	<b>Code NR</b>	<b>Description</b>
35	4033.022	PHOTOCELL
36	4032.885	HIGH TENSION CABLES
37	4100.810	PIPE CLAMP
38	4033.219	MOTOR
39	4111.081	COUPLING
40	4111.042	PUMP
41	4033.187	FLEXIBLE OIL PIPE
42	4032.906	FITTING
43	4032.342	SOLENOID SPOOL CORD
44	4032.835	MOTOR BRACKET
45	4032.947	CABLE PROTECTION
46	4033.269	OIL PIPE FILTER-PUMP
47	4033.268	OIL PIPE TANK-TANK FILTER
48	4260.107	FUEL FILTER
49	4110.355	OIL SUCTION LINE
50	4260.099	FUEL GAUGE
51	4033.038	OIL DISCHARGE LINE
52	4100.541	RUBBER BUSHING
53	4110.032	OIL DISCHARGE PIPE
54	4033.017	IGNITION CONTROL
55	4032.771	POWER LINE RFI FILTER
56	4033.301	FUSE HOLDER
57	4032.850	FUSE
58	4160.639	POP RIVET TERMINAL 4 WAY
59	4111.119	THERMOSTAT SOCKET
61	4162.467	CAP FOR THERMOSTAT SOCKET
62	4033.292	ELECTRICAL COMPONENTS BASE
63	4100.656	NUT
64	4150.528	STRAIN RELIEF
65	4033.251	BOARD BUTTON CAP
66	4165.204	SWITCH
67	4033.272	ELECTRICAL PANEL
67	4033.273	ADHESIVE
68	4033.274	PANEL GASKET

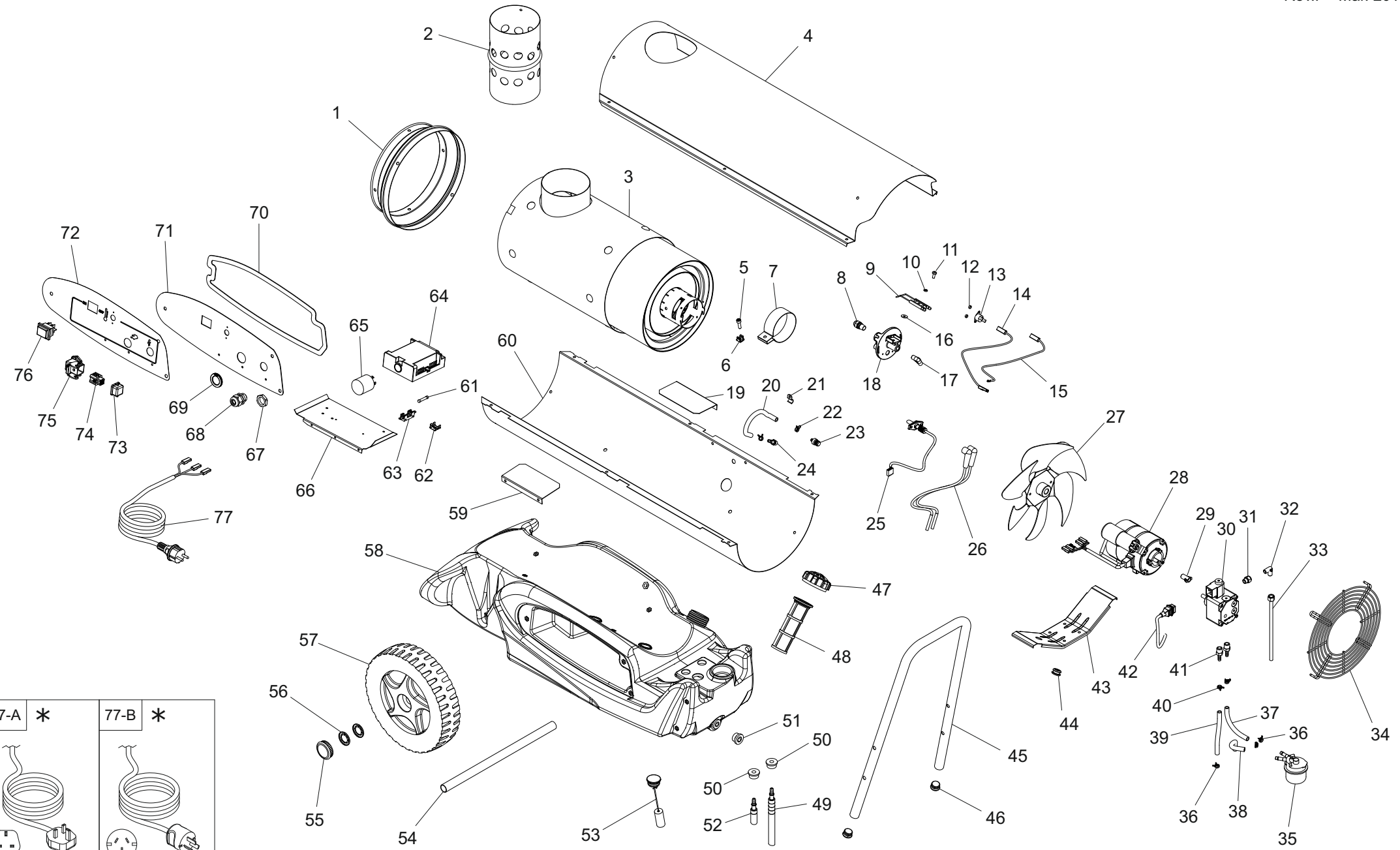
# MODEL BV 77 E - 220-240 V / 50 Hz

UNIT 1

ILLUSTRATED PARTS BREAKDOWN

From Serial Number: 06237001954

Rev.F - Mar. 2017



77-A *	77-B *
POWER CORD UK (type G)	POWER CORD New ZL (type I)

---

<b>Pos.</b>	<b>Code NR</b>	<b>Description</b>
1	4031.657	OUTLET CONE
2	4032.840	CHIMNEY
3	4033.081	COMBUSTION CHAMBER
4	4032.832	UPPER SHELL
5	4032.455	SCREW
6	4032.454	CAGE NUT
7	4032.545	AIR DAMPER
8	4031.536	NOZZLE
9	4033.123	BIFILAR ELECTRODE
10	4110.393	ELASTIC WASHER
11	4160.601	SCREW
12	4032.692	SPACER
13	4032.883	SAFETY THERMOSTAT
14	4111.087	THERMOSTAT WIRE
15	4032.946	THERMOSTAT WIRE
16	4110.394	FIBER WASHER
17	4033.198	90° CONNECTION
18	4033.042	COMBUSTION HEAD
19	4032.808	AIR FLAP
20	4110.032	RUBBER PIPE
21	4033.879	CLIP
22	4100.810	CLAMP
23	4260.246	BREATHE VALVE
24	4034.390	STRAIGHT CONNECTION
25	4032.776	PHOTOCELL
26	4032.885	HIGH TENSION WIRES
27	4032.814	FAN
28	4033.219	MOTOR
29	4111.081	MOTOR COUPLING
30	4111.042	FUEL PUMP
31	4161.501	STRAIGHT CONNECTION
32	4033.198	90° CONNECTION
33	4033.187	OIL PIPE
34	4032.836	GRILLE
35	4260.107	FUEL FILTER
36	4100.810	CLAMP
37	4033.269	RUBBER PIPE
38	4033.268	RUBBER PIPE
39	4110.032	RUBBER PIPE
40	4100.810	CLAMP
41	4032.906	STRAIGHT CONNECTION
42	4032.342	ELECTROVALVE WIRE
43	4032.835	MOTOR SUPPORT
44	4032.947	WIRE PROTECTION
45	4032.811	HANDLE
46	4032.979	CAP
47	4032.704	TANK CAP

---

<b>Pos.</b>	<b>Code NR</b>	<b>Description</b>
48	4201.185	TANK FILTER
49	4100.355	SUCTION PIPE
50	4100.541	RUBBER BUSH
51	4032.813	TANK DRAIN CAP
52	4033.038	DISCHARGE PIPE
53	4260.099	FUEL GAUGE
54	4032.809	WHEELS AXLE
55	4111.480	WHEELS CAP
56	4111.072	BLOCK WASHER
57	4032.094	WHEEL
58	4034.387	TANK
59	4032.808	AIR FLAP
60	4034.389	LOWER SHELL
61	4032.850	FUSE
62	4160.639	GROUND TERMINALS
63	4033.301	FUSE HOLDER
64	4033.017	PC-BOARD
65	4032.771	ELECTRICAL LINE FILTER
66	4033.292	COMPONENTS SUPPORT
67	4100.656	NUT
68	4150.528	STRAIN RELIEF
69	4033.251	PC-BOARD PROTECTION
70	4033.274	CONTROL PANEL GASKET
71	4033.272	CONTROL PANEL
72	4033.273	CONTROL PANEL LABEL
73	4162.467	THERMOSTAT CAP
74	4161.400	THERMOSTAT PLUG
75	4111.119	THERMOSTAT SOCKET
76	4165.204	SWITCH
77	4033.253	POWER CORD SCHUKO
77-A	4033.302	POWER CORD UK
77-B	4033.252	POWER CORD NEW-ZEALAND